



# 900KG STATIC MOUNTED CRANE

MODEL NO: **SSC900**

Thank you for purchasing a Sealey product. Manufactured to a high standard, this product will, if used according to these instructions, and properly maintained, give you years of trouble free performance.

**IMPORTANT:** PLEASE READ THESE INSTRUCTIONS CAREFULLY. NOTE THE SAFE OPERATIONAL REQUIREMENTS, WARNINGS & CAUTIONS. USE THE PRODUCT CORRECTLY AND WITH CARE FOR THE PURPOSE FOR WHICH IT IS INTENDED. FAILURE TO DO SO MAY CAUSE DAMAGE AND/OR PERSONAL INJURY AND WILL INVALIDATE THE WARRANTY. KEEP THESE INSTRUCTIONS SAFE FOR FUTURE USE.



Refer to instructions



Wear protective gloves



Wear safety footwear

## 1. SAFETY

- ✓ Fitting must be undertaken by an experienced engineer with knowledge of the stresses involved. This is especially important if fitting to a vehicle or trailer.
- ✓ Keep crane, lifting slings, support and beams in good working order and condition. Follow the inspection requirements as described in Section 6, Maintenance. Take immediate action to repair or replace damaged parts by contacting your supplier.
- ✓ Ensure that all accessory lifting devices are suitable. If crane is damaged, remove from service immediately.
- ✓ Ensure that the crane is securely fixed to the surface or vehicle on which it is to be mounted.
- ✓ Keep children and unauthorised persons away from the working area.
- ✓ Keep working area clean and tidy, free from unrelated materials and ensure that there is adequate lighting.
- ✓ Ensure that load does not exceed the maximum lifting capacity of the crane. Overloading the crane is dangerous. Where appropriate, use only the lifting points recommended by the manufacturer of the item to be lifted, e.g. vehicle engine.
- ✓ Before lifting the load ensure that the crane boom is in the lowest practical position, that there are no obstacles which may snag the load whilst it is being lifted and that the area above the boom is clear.
- ✓ To avoid injury, be fully aware of your own and other persons locations in relation to the lifting, and lowering, of the load.
- ✓ Keep a sound footing and balance, and ensure the floor is not slippery, and wear non-slip footwear.
- ✓ Ensure boom extension locking pin and 'R' pin are in position before lifting.
- ✓ Ensure the centre of gravity always remains inside the crane base.
- ✗ **DO NOT** harness the load at an angle or use any attachments not verified as fit for purpose.
- ✗ **DO NOT** allow the load to swing during lifting.
- ✗ **DO NOT** allow the load to drop suddenly. Lower load with care, ensuring that you are fully aware of the condition of the surface onto which the load is to be placed.
- ✗ **DO NOT** load crane beyond its rated capacity for each specified boom extension position as indicated in Section 3. The capacity of the crane reduces as the boom is extended.
- ✗ **DO NOT** position any part of your body beneath the load.
- ✗ **DO NOT** attempt to adjust the safety valve, which has been set and sealed by the manufacturer.
- ✗ **DO NOT** use this crane to perform a task for which it is not designed.
- ✗ **DO NOT** use whilst under the influence of drugs, alcohol or intoxicating medication.
- ✗ **DO NOT** climb on the crane.
- ✓ When not in use store in a safe, childproof area.
- ☐ **WARNING!** Failure to heed safety and warning instructions may result in damage and/or personal injury and will invalidate the warranty.

## 2. INTRODUCTION

Unique 360° locking swivel base for easy rotation. Mounts easily onto any strong and stable surface including loading bays, 4x4s, flatbed trucks and trailers. Heavy-duty chain and hook with safety clip. Dead man's control release valve allows fine adjustment for safe, controlled lowering of load.

### 2.1. IDENTIFICATION :

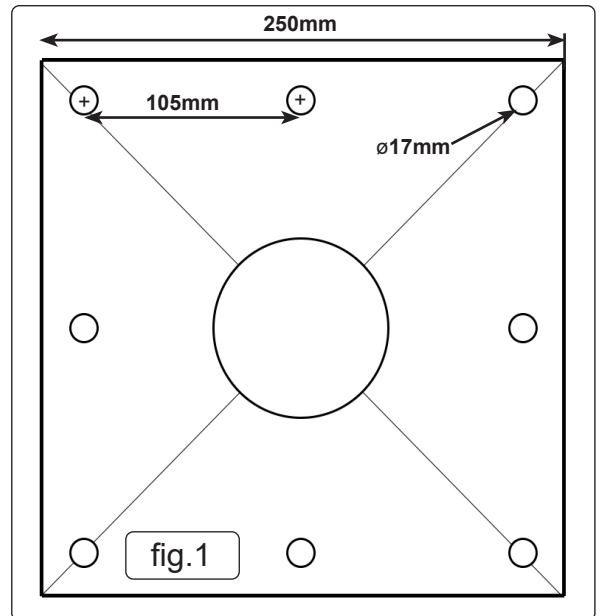
Supplier: Sealey Power Products,  
Kempson Way,  
Suffolk Business Park,  
Bury St Edmunds,  
Suffolk,  
IP32 7AR.

Model No: SSC900

### 3. SPECIFICATION

Model No:.....	<b>SSC900</b>
Height Jib Down:.....	1530mm
Length of Jib Position 1:.....	825mm
Length of Jib Position 2:.....	1180mm
Lifting Capacity in Position 1:.....	900kg
Lifting Capacity in Position 2:.....	250kg
Max. Lift Ht at Jib Position 1:.....	2060mm
Max. Lift Ht at Jib Position 2:.....	2350mm

- 3.1. For a description of in-service and out-of-service conditions see Section 1 Safety, Section 6 Maintenance.
- 3.2. The crane is fitted with a bypass valve that will prevent the ram from over extending.
- 3.3. For applications see Section 1 Safety.
- 3.4. For control system, see fig.2 for release valve, pump assembly and handle. Operation is explained in Section 5.
- 3.5. For ground condition requirements, see Section 1 Safety.
- 3.6. For information on parts and materials requiring specialised repair techniques see Section 6 Maintenance.

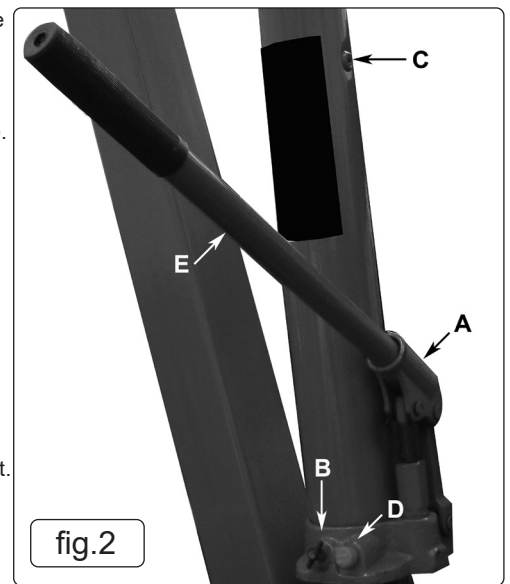


### 4. ASSEMBLY

- ❑ **WARNING!** The base (fig.1) must be fastened securely to the surface or vehicle. Owing to the design of this crane, the mounting is subject to substantial leverage.

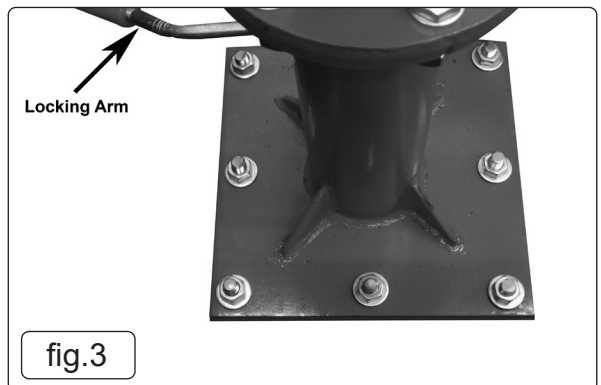
**No liability will be accepted for incorrect mounting or use of this crane.**

- 4.1. Solid Mounting: Use anchor bolts of suitable size and design to secure the base. If in any doubt, consult a specialist with the relevant knowledge.
- 4.2. Vehicle Mounting: When mounting on a vehicle, consult the vehicle manufacturer and/or bodybuilder to determine a suitable location on which to mount the crane. Incorrect mounting could affect the stability of the vehicle when using the crane.
- 4.3. Crane Assembly. (Part numbers refer to the parts drawing).
  - 4.3.1. If required, bolt wheel hub (part 2) onto post (part 9) using bolts (part 3), securing with washers and nuts.
  - 4.3.2. Attach boom (part 12) to post using bolt (part 10), securing with washers and nut.
  - 4.3.3. Attach lower end of jack (part 8) to post using bolt (part 6), washers and nut.
  - 4.3.4. Similarly, attach upper end of jack to boom using bolt (part 11), washers and nut.
  - 4.3.5. Slide boom extension into boom and secure with pin (part 13).
  - 4.3.6. Attach hook and chain (part 16) using bolt (part 15), washers and nut.
- 4.4. Before use, purge the hydraulic system by opening the release valve (fig 2.B) slightly and operating the pump for about 20 strokes. Close the release valve and check oil level as in section 6.1.B.



### 5. OPERATION

- 5.1. **OPERATION** (Refer to Section 6.2 regarding inspection before each and every use).
  - 5.1.1. Loosen locking arm (fig.3) allowing mast to rotate.
  - 5.1.2. Place pumping handle (figs.2.E & 4) into pump socket (fig.2.A) and pump, the boom will raise. Continue to pump until the boom reaches the height at which the load can be secured.
  - 5.1.3. Connect the crane hook to the load using a suitable sling or support beam. Ensure you are aware of the load weight, and check that it is within the capacity of the crane (at the boom extension you are using) and the sling or support beam.
  - 5.1.4. Lift only from directly above the load. **WARNING! DO NOT** lift the load at an angle!
  - 5.1.5. To slew the crane and its load, place the slewing handle (fig.4) into the socket and use as a lever, taking care not to place yourself or any other person in the path of the load. If vehicle mounted, monitor the attitude of the vehicle and stop lifting if any sign of instability becomes apparent.
  - 5.1.6. To lower load, place the notches in the end of the pump handle over the lugs on the release valve (fig.2.B) and turn **WARNING! DO NOT** allow the load to drop suddenly.
  - 5.1.7. When load has been secured, remove lifting sling, support beam etc. Secure the crane with boom fully lowered and the locking arm tightened.



### 6. MAINTENANCE/INSPECTION

**NOTE:** The crane **MUST** be kept clean and dry and must be maintained in accordance with these instructions.

#### 6.1. LUBRICATION

- A) Oil all working parts monthly.

- B) The ram is filled with oil and should only require occasional topping up. For the occasional top up **DO NOT** use brake fluid, as this will damage the hydraulic seals. Proceed as follows:
- 1) Use only good quality hydraulic jack oil available from your Sealey stockist.
  - 2) **DO NOT OVERFILL** as this will cause failure.
  - 3) After filling with hydraulic oil, pump the crane up to its full height and pour off any excess oil.

**6.2. INSPECTION AND EXAMINATION OF CRANE BEFORE USE**

- A) Before each use of the crane, perform an inspection for leaks, damage, loose or missing parts.
- B) The workshop crane must be examined immediately if it has been subject to an abnormal load or shock. It is recommended that such an examination is made by an authorised service agent.
- C) The owner and/or operator must be aware that repair of this equipment will require specialised knowledge and facilities. It is recommended that an annual examination of the workshop crane is made by an authorised service agent.
- D) Unauthorised parts may be dangerous and will invalidate the warranty.

**6.3. DEFINITION OF 'INSPECTION' AND 'EXAMINATION' BELOW**

**INSPECTION:**

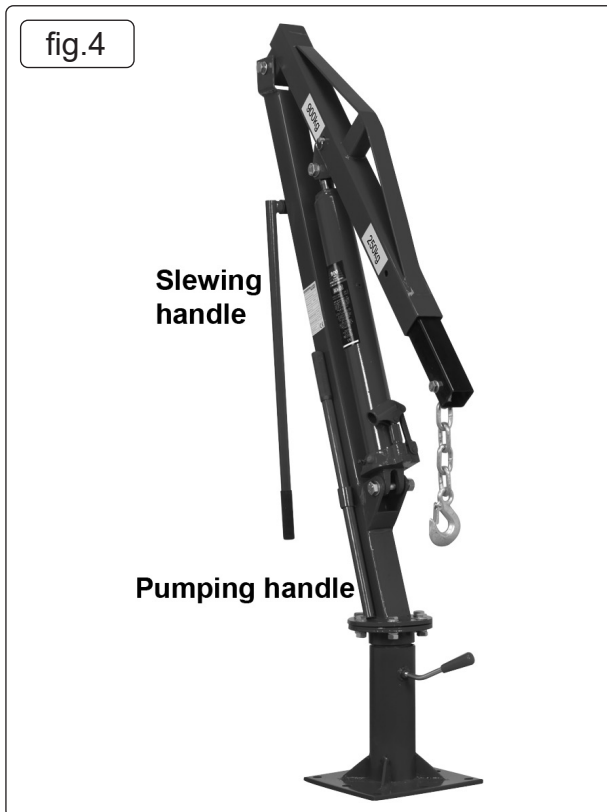
Inspect the crane for defects and check the operation of controls, limiting and indicating devices without loading the crane. This check does not normally require any part of the crane to be dismantled other than removal or opening of covers or housings.

**EXAMINATION**

Verification that the crane can safely continue in service including a functional test of all safety devices i.e. limiting, indicating equipment, brakes, clutches, safety valves etc to verify that they operate within the required tolerances. An examination is more thorough than an inspection.

**6.4. DAMAGED CRANES**

Any crane which appears to be damaged, badly worn, or operates abnormally **MUST BE REMOVED FROM SERVICE!** It is recommended that necessary repairs be made by an authorised service agent.



**ENVIRONMENT PROTECTION**

Recycle unwanted materials instead of disposing of them as waste. All tools, accessories and packaging should be sorted, taken to a recycling centre and disposed of in a manner which is compatible with the environment. When the product becomes completely unserviceable and requires disposal, drain any fluids (if applicable) into approved containers and dispose of the product and fluids according to local regulations.

**Note:** It is our policy to continually improve products and as such we reserve the right to alter data, specifications and component parts without prior notice.

**Important:** No Liability is accepted for incorrect use of this product.

**Warranty:** Guarantee is 12 months from purchase date, proof of which is required for any claim.

**Sealey Group, Kempson Way, Suffolk Business Park, Bury St Edmunds, Suffolk. IP32 7AR**



**01284 757500**



**01284 703534**



**sales@sealey.co.uk**



**www.sealey.co.uk**